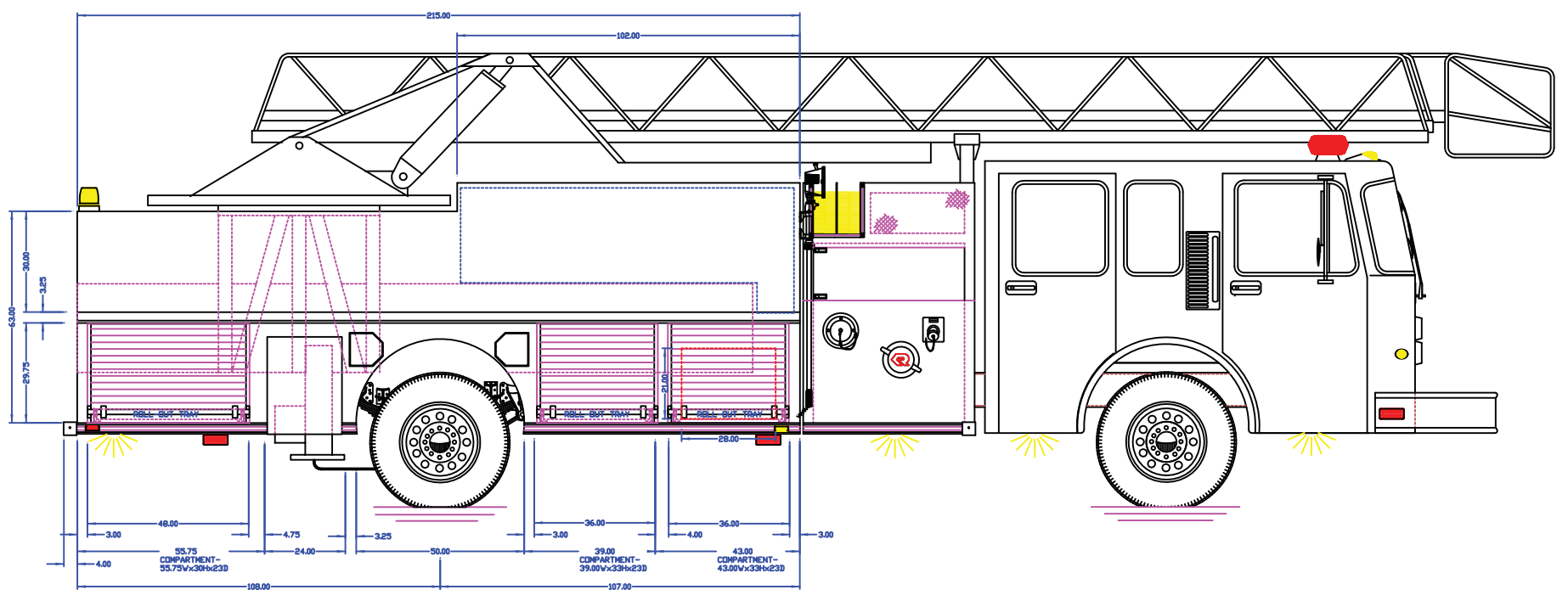
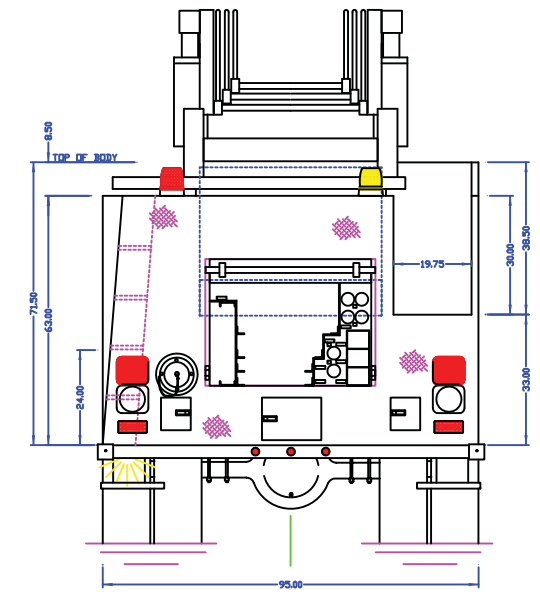
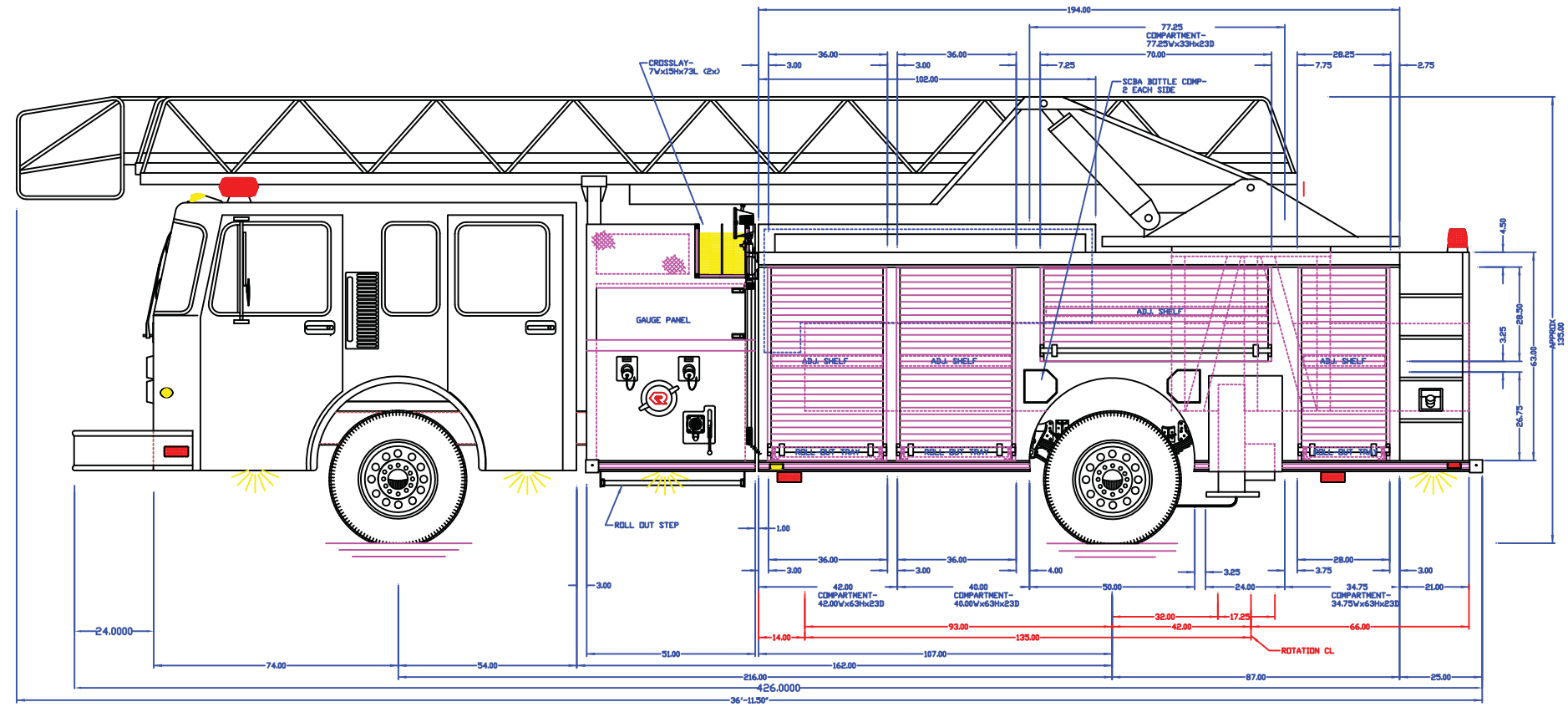
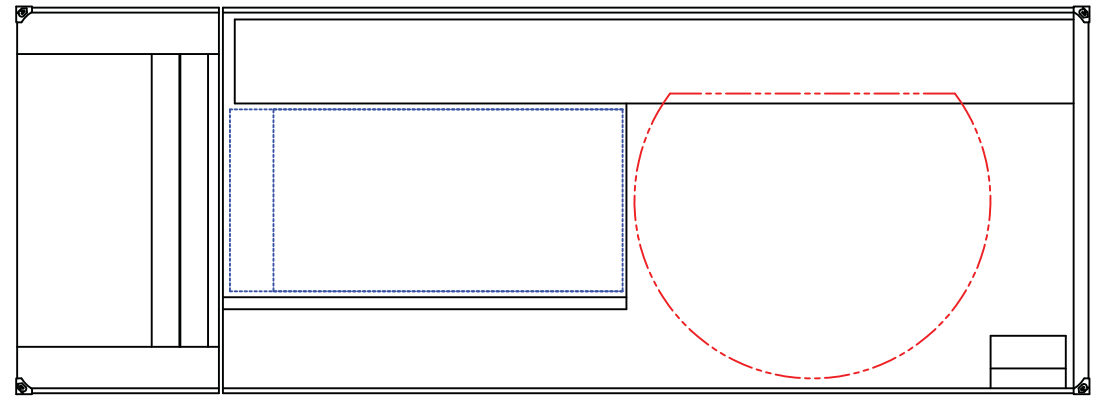


APPROVED BY:



NOTE: LADDER- 75' RK NFG  
 TANK CAP- 400 GAL POLYPROPYLENE  
 PUMP CAP- WATEROUS 1500 GPM  
 DIMENSIONS SHOWN ARE APPROXIMATE  
 AND ARE SUBJECT TO MINOR DEVIATIONS  
 DURING CONSTRUCTION  
 NOT ALL ITEMS IN SPECS ARE SHOWN ON  
 THIS PRINT  
 COMPARTMENT INTERIORS SPATTER PAINT  
 SIDE PUMP PANELS BLACK THERMOPLASTIC  
 NFPA UPPER LIGHT PACKAGE- CODE 3  
 NFPA LOWER LIGHT PACKAGE- CODE 3  
 HOSEBELT- 35 CU FT MAXIMUM CAP  
 55 CU FT MINIMUM CAP  
 LOAD- UNKNOWN NFPA

NONE	MAXIMUM HEIGHT	DATE: 09-27-05	REV: 11-20-05	BY: MJC
NONE	MAXIMUM LENGTH	DATE: -	REV: -	BY: -
95"	BODY WIDTH	DATE: 12-24-07	REV: -	BY: -

**ROSENBAUER**

ROSENBAUER DEMO #7208  
 75-FT AERIAL

SCALE: REF. ONLY

7208 DEMO