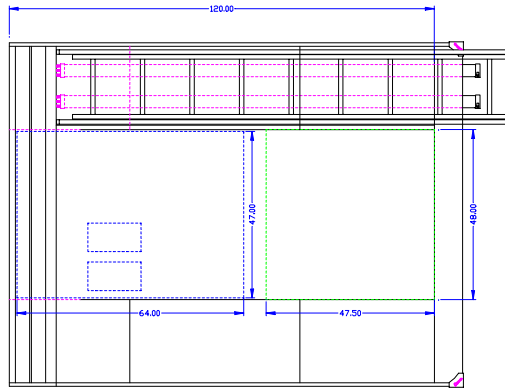


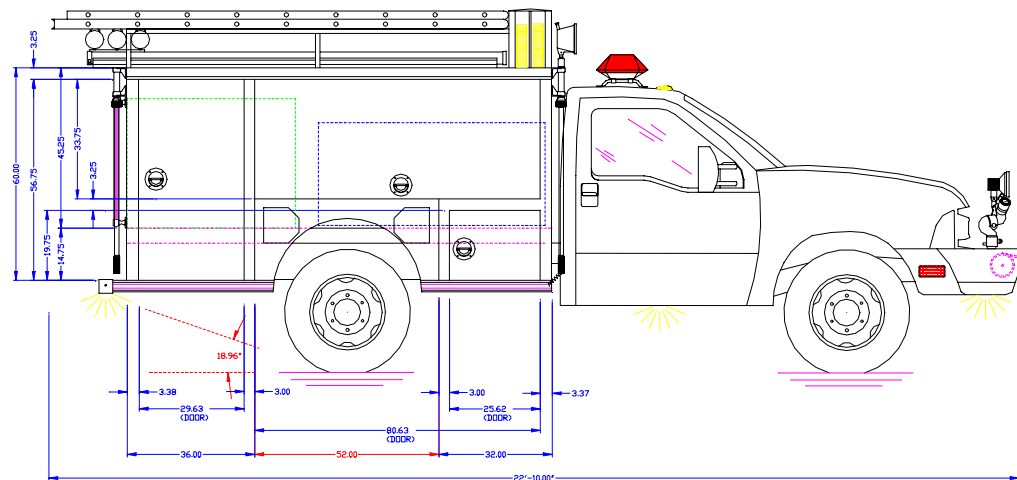
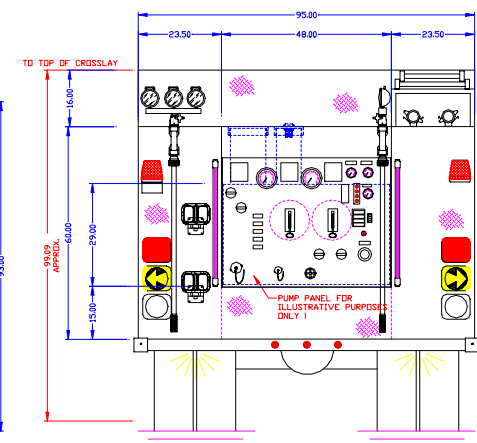
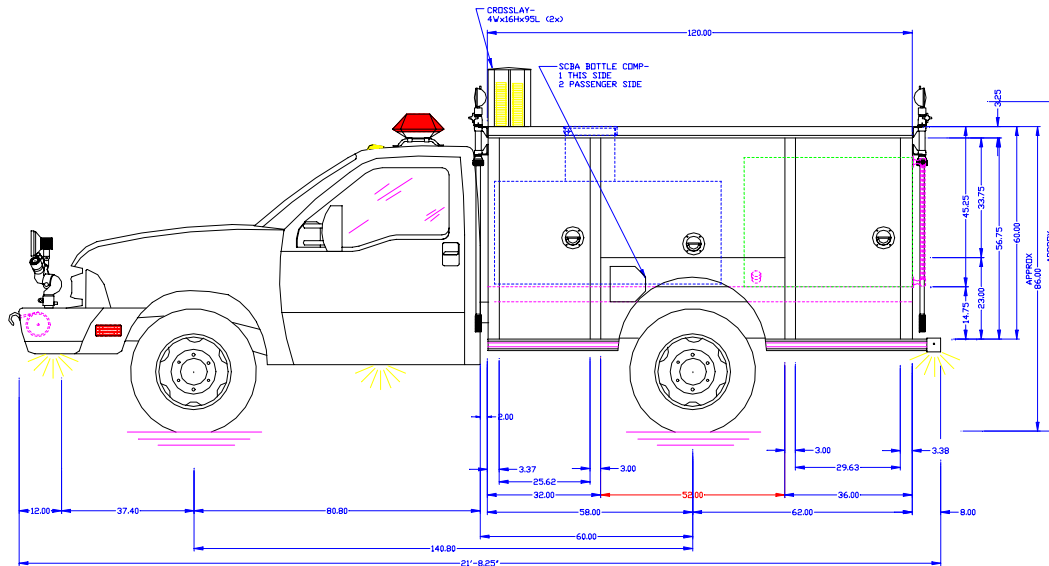
Fire Trucks West

3893 Oxbow Avenue
Boise, ID 83713
(208) 321-0847



NOTE: UNLOADED HEIGHTS MAY BE 4" ABOVE HEIGHTS SHOWN

- NOTE: TANK CAP-400 GAL. POLYPROPYLENE
20-GAL. CAP FDM CELL IN MAIN TANK (1x)
PUMP: DARLEY MODEL 1-1/2 AGE
DIMENSIONS SHOWN ARE APPROXIMATE AND ARE SUBJECT TO MINOR DEVIATIONS DURING CONSTRUCTION
NBT ALL ITEMS IN SPECS ARE SHOWN ON THIS PRINT
THERMO-PLASTIC INTERIOR COMPARTMENTS
NFPA UPPER LIGHT PACKAGE-SEE SPECS
NFPA LOWER LIGHT PACKAGE-SEE SPECS
COMPARTMENTS 23" DEEP
FIRE RESEARCH 12-VOLT SPOT/FLD LIGHTS MODEL LT530-TC (4x)
WARN 12,000 LB. FRONT WINCH
BUMPER TURRET: AKRON FIRE FDX
1/4" COLLINS FX-12 LIGHT
1- 16"- 2-SECTION LADDER
2- 2.5"x30" HARD SUCTION HOSE



CONFIDENTIAL-PROPRIETARY INFORMATION
REPRODUCTION OF THESE DRAWINGS OR THE MANUFACTURING OF PRODUCTS FROM THESE DRAWINGS FOR USE BY ANYONE OTHER THAN GENERAL FIRE APPARATUS, INC. OF SPOKANE, WA. IS STRICTLY PROHIBITED WITHOUT WRITTEN CONSENT

NONE	MAXIMUM HEIGHT
NONE	MAXIMUM LENGTH
95"	BODY WIDTH

The **LEMHI** Promise
Superior Quality Competitive Pricing
and Total Commitment to Customer Satisfaction

GENERAL FIRE APPARATUS, INC.

DATE: 06-04-02 REVISED: 06-05-02 REVISED: 04-02-03

LEMHI CO., ID.
FIRE PROTECTION DIST. #1

LEMHI
LEMHIPRO

SCALE: REF. ONLY