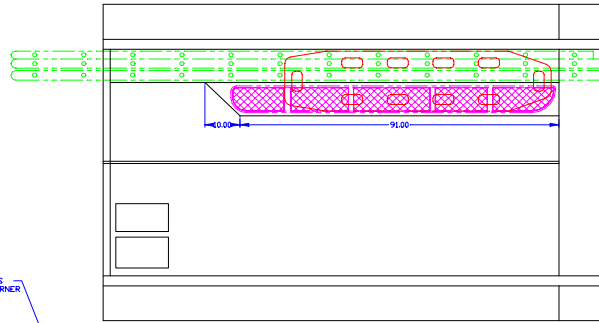
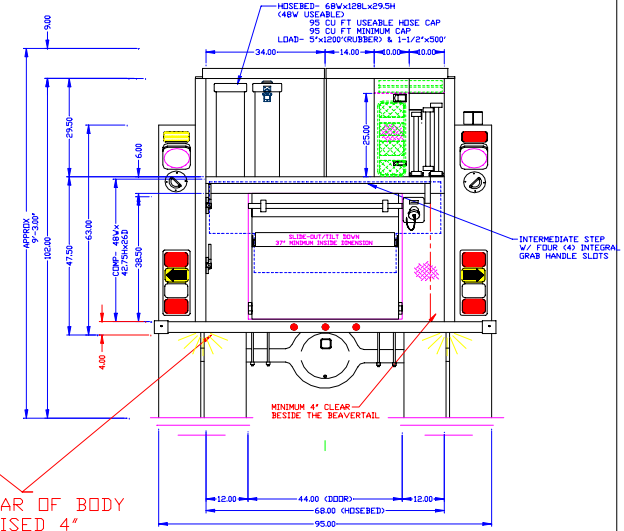
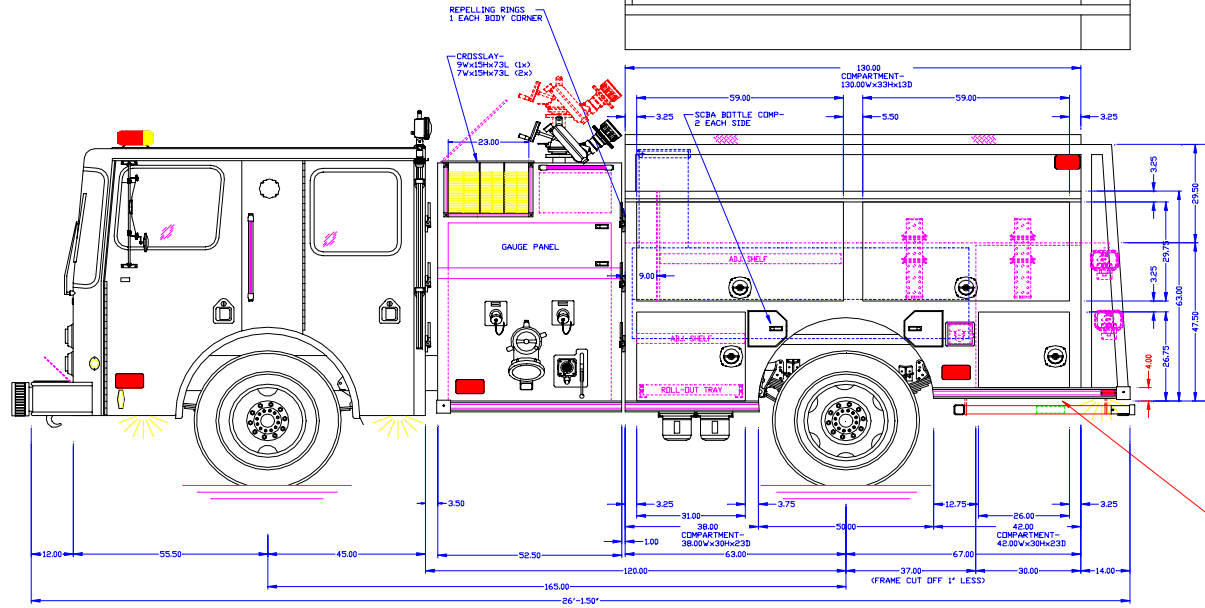


APPROVED BY:

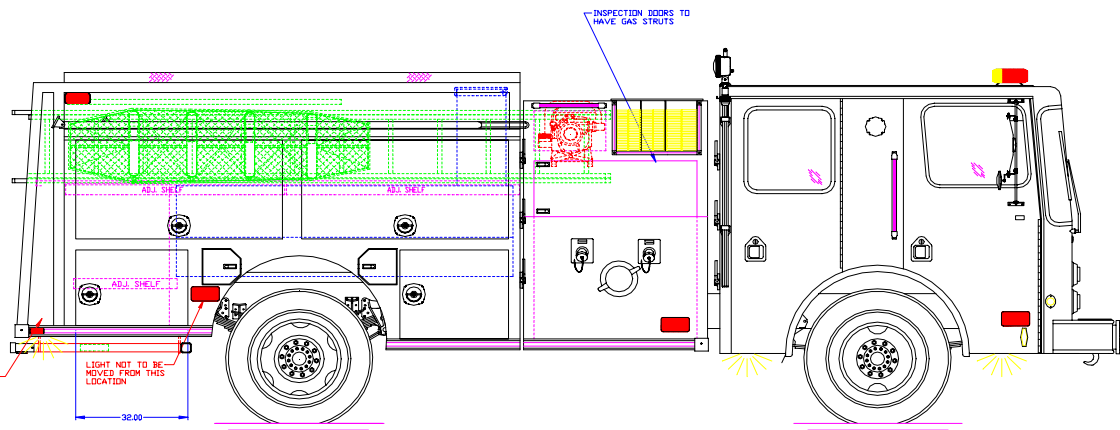


NOTE: MODIFY SUB-FRAME HEADER TO ALLOW FOR LADDER STORAGE

NOTE: UNLOADED HEIGHTS MAY BE 4" ABOVE HEIGHTS SHOWN



REAR OF BODY RAISED 4"



NOTHING TO BE MOUNTED IN THIS AREA

LIGHT NOT TO BE MOVED FROM THIS LOCATION

NOTE: TANK CAP- 500 GAL POLYPROPYLENE  
 20 GAL CAP FOAM CELL IN MAIN TANK (1x)  
 PUMP CAP- 1250 GPM  
 AUX. PUMP- BARLEY 1.5 AGED  
 DIMENSIONS SHOWN ARE APPROXIMATE AND ARE SUBJECT TO MINOR DEVIATIONS DURING CONSTRUCTION  
 NDT ALL ITEMS IN SPECS ARE SHOWN ON THIS PRINT  
 SPOT LIGHT- 2 ON REAR  
 COMPARTMENT INTERIORS SWIRL FINISH  
 SIDE PUMP PANELS BLACK THERMOPLASTIC  
 NFPA UPPER LIGHT PACKAGE- WHELEN  
 NFPA LOWER LIGHT PACKAGES- WHELEN  
 ROLL UP DOOR EFFECTIVE OPENING- 3" NARROWER AND 5" SHORTER THAN ACTUAL OPENING IN BODY

|      |                |            |            |            |
|------|----------------|------------|------------|------------|
| NONE | MAXIMUM HEIGHT | 0'11" SAJ  | 0'11" SAJ  | 0'11" SAJ  |
| NONE | MAXIMUM LENGTH | 121'0" SAJ | 121'0" SAJ | 121'0" SAJ |
| 95"  | BODY WIDTH     | CENTRAL    |            |            |



DIAMOND SPRINGS F.P.D.

SCALE: REF. ONLY

DRAWING NUMBER  
diamondca