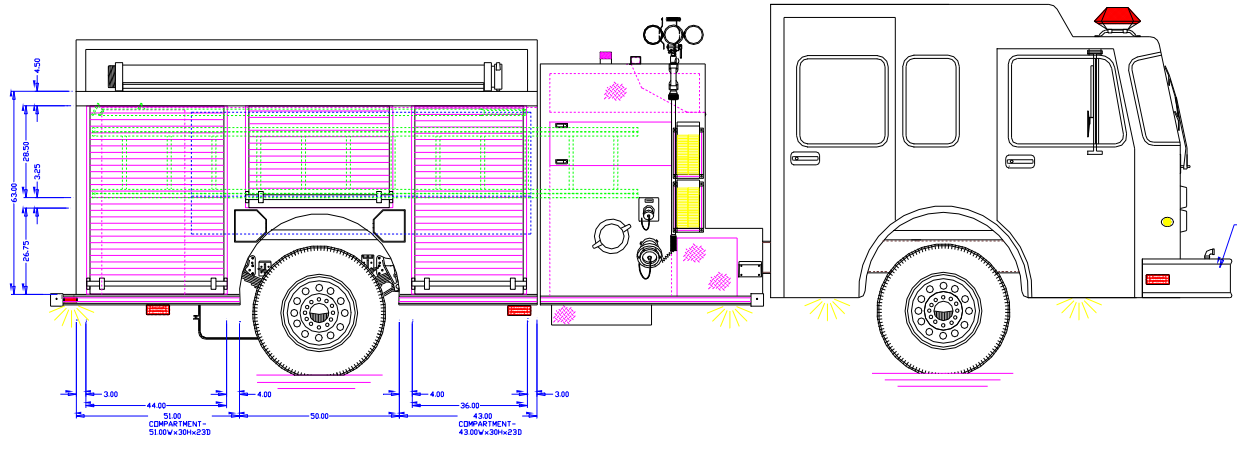
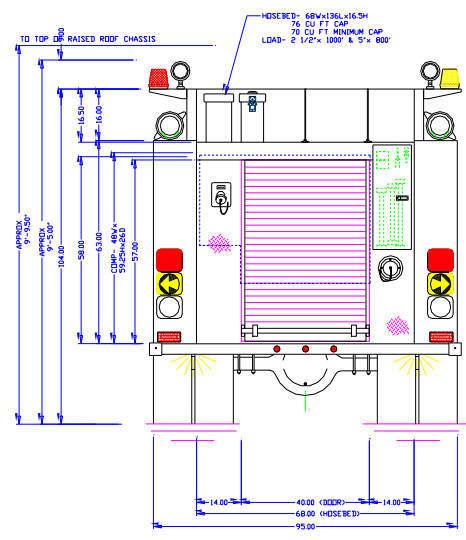
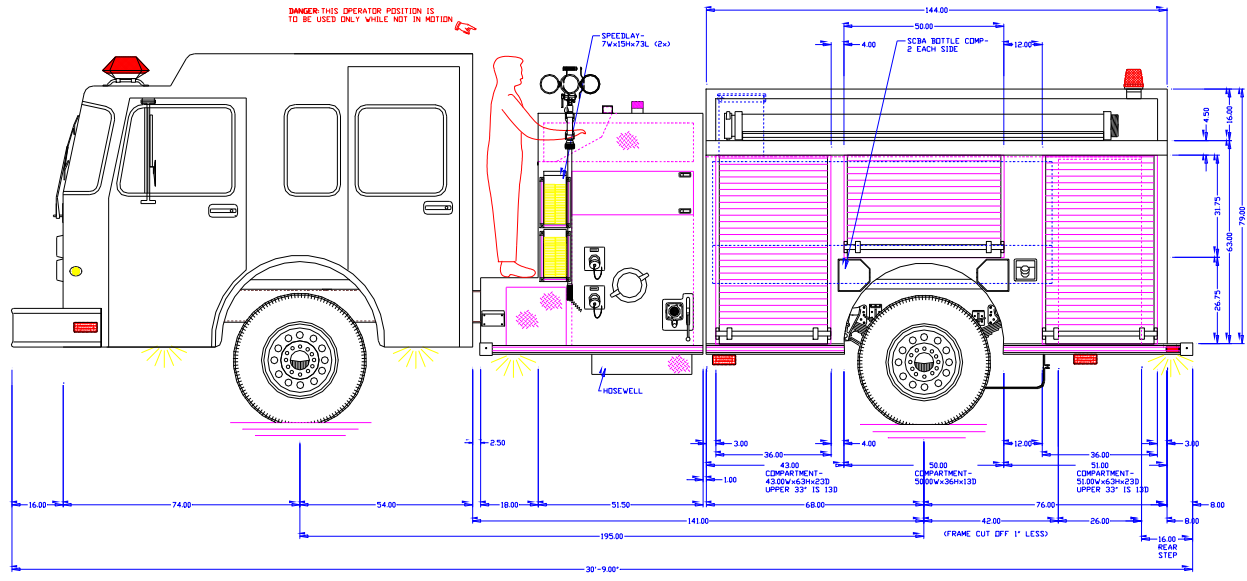


NOTE: UNLOADED HEIGHTS MAY BE 4" ABOVE HEIGHTS SHOWN



NOTE: TANK CAP - 750 GAL POLYPROPYLENE  
 25 GAL CAP FDM CELL IN MAIN TANK (1x)  
 PUMP CAP - 1500 GPM WATERLUS  
 DIMENSIONS SHOWN ARE APPROXIMATE AND ARE SUBJECT TO MINOR REVISIONS DURING CONSTRUCTION  
 NOT ALL ITEMS IN SPECS ARE SHOWN ON THIS PRINT  
 SPOT LIGHT - 2 IN REAR  
 COMPARTMENT INTERIORS SPRAY LINED  
 TOP AND SIDE PUMP PANELS STAINLESS STEEL  
 TELE LIGHT - 12V TRIPLE BEAM - 1 PER SIDE AT PUMP COMPARTMENT  
 NFPA UPPER LIGHT PACKAGE - CODE 3  
 NFPA LOWER LIGHT PACKAGE - CODE 3  
 ROLL UP DOOR EFFECTIVE OPENING - 3\"/>

NOTE: SMOOTH ALUMINUM FLOORS W/ THERMOPLASTIC

JOB # 13205  
 OK  
 SAG  
 08-12-04



NONE	MAXIMUM HEIGHT
NONE	MAXIMUM LENGTH
95"	BODY WIDTH

The **Fireman's Promise**  
 Superior Quality, Competitive Pricing,  
 and Total Commitment to Customer Satisfaction  
**CENTRAL STATES FIRE APPARATUS, LLC**  
 P.O. BOX 10100    10100    10100  
 REV. 02-20-04    REVISED 01-26-04    REVISED 04-19-04  
 REVISED 08-09-04    REVISED 08-11-04  
**FRUITLAND, ID**  
 fruitland

SCALE REF. ONLY