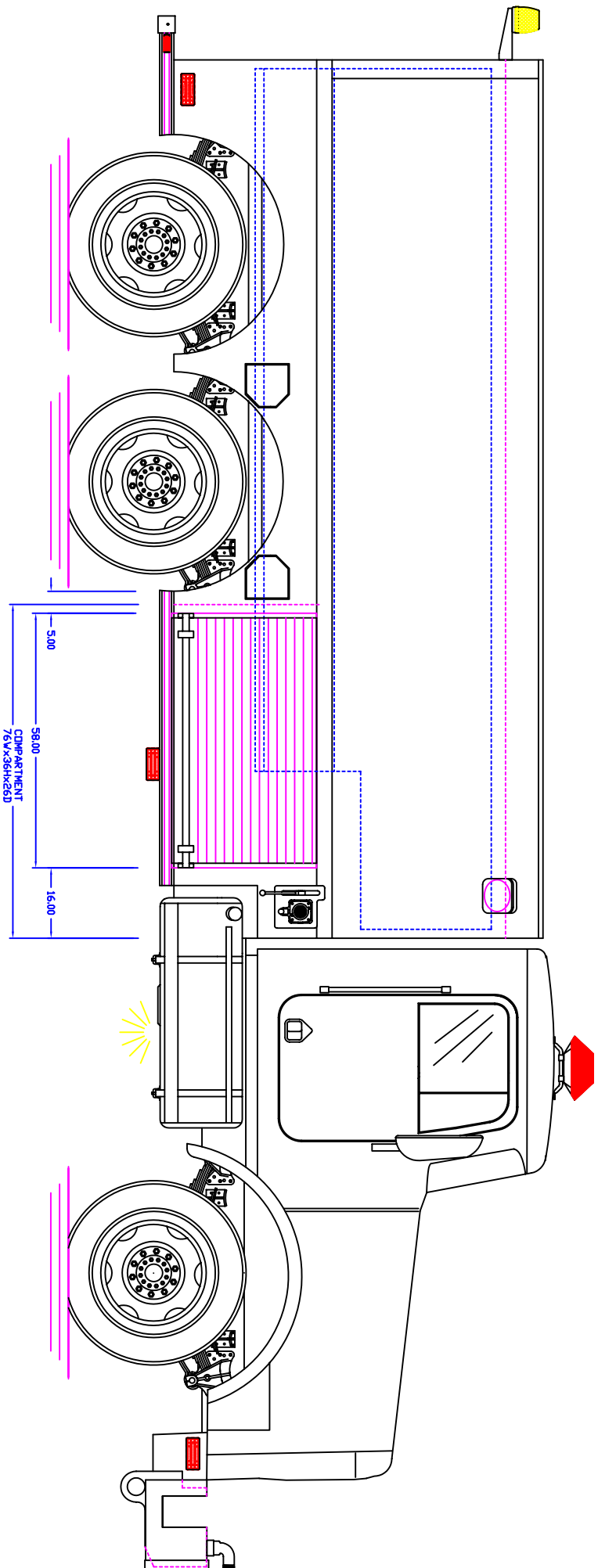
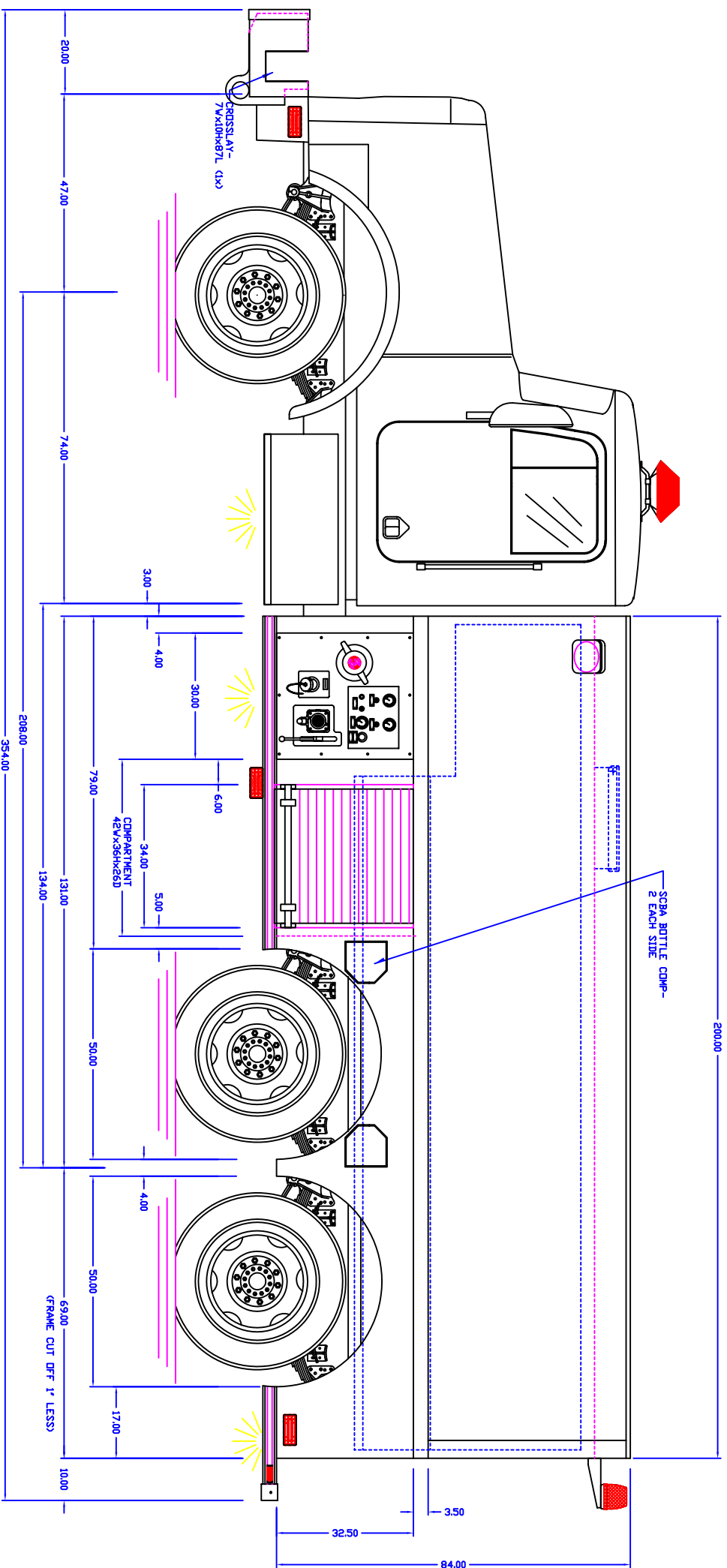
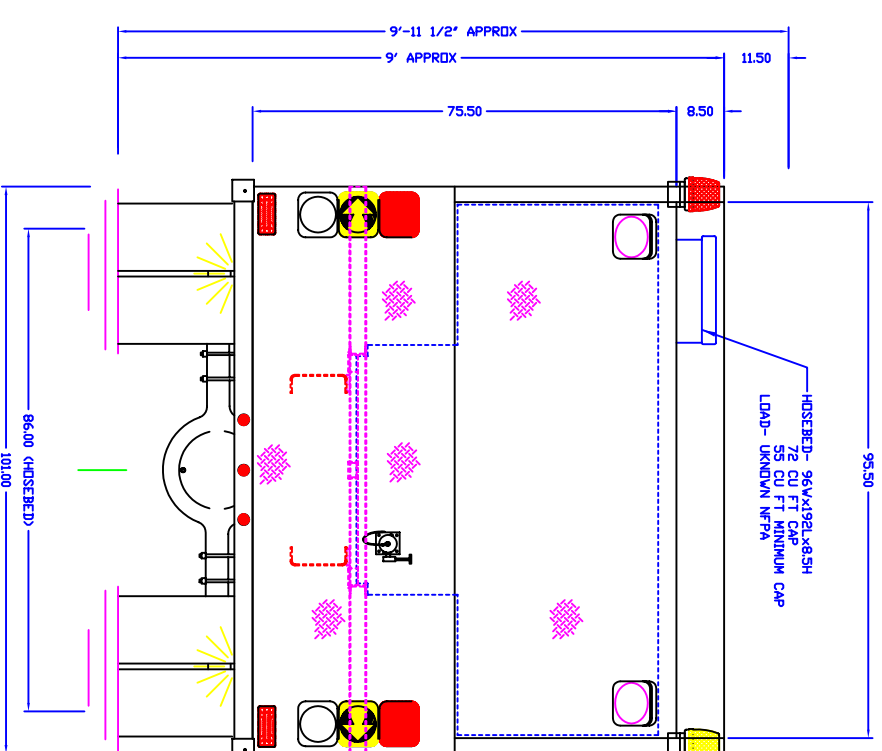


APPROVED BY:



NOTE: UNLOADED HEIGHTS MAY BE 4" ABOVE HEIGHTS SHOWN



NOTE: TANK CAP - 3000 GAL. HOT DIPPED GALVANIZED  
 PUMP CAP - 500 GPM WATERIOUS  
 DIMENSIONS SHOWN ARE APPROXIMATE AND ARE SUBJECT TO MINOR DEVIATIONS DURING CONSTRUCTION  
 NOT ALL ITEMS IN SPECS ARE SHOWN ON THIS PRINT  
 COMPARTMENT INTERIORS SPATTER PAINT  
 SIDE PUMP PANELS STAINLESS STEE  
 NFPA UPPER LIGHT PACKAGE - CODE 3  
 NFPA LOWER LIGHT PACKAGE - CODE 3

120"	MAXIMUM HEIGHT	REV 4/26/06	REV 4/26/06
NONE	MAXIMUM LENGTH		
101"	BODY WIDTH		
		<b>FIRELINE</b>	



MOSCUITO, CA

